

A THING OF BEAUTY
IS A JOY FOREVER.



ALUMINIUM WINDOWS

The beauty of engineering



ETERNIA ALUMINIUM WINDOWS - THE BEAUTY OF ENGINEERING

Hindalco – one of the leading players in aluminium the world over – brings to you Eternia Aluminium Windows: where beauty and engineering come together seamlessly.

Made from Virgin Aluminium, Eternia Aluminium Windows are fabricated and installed by a team of experienced Hindalco-licensed fabricators. These windows are available in wide range of colours and finishes to suit your every need. Made using precision technology, hardware and accessories from Europe, Eternia Aluminium Windows are completely customisable with flawless finishes. Bring home an Eternia Aluminium Window today and start a relationship for life.



Virgin Aluminium for strength and durability



European rollers for smooth sliding



Superior quality European locks



Noise & heat insulation with double-glazed/laminated glass



Limitless colours & textures



Green Metal endlessly recyclable



ETERNIA

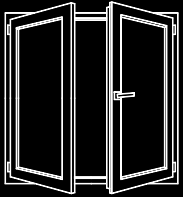
ADVANTAGES

- Made from Hindalco quality aluminium extrusions to ensure higher strength and durability.
- Superior Italian design.
- Quality hardware and accessories for long-lasting trouble-free performance.
- Made from high-quality aluminium, to provide superior anodizing and coating properties.
- Limitless colours and textures: anodized, PVDF, powder coated and wood finish.
- Lasts and retains colours against sunlight - longest in the category.
- Smooth, noiseless and hassle-free operations.
- Rust-free and requires no maintenance.
- Suitable for all weather conditions.
- Customised solutions, fabrication and installation by experienced fabricators.
- Specialized Italian punching machine and tools for precision, consistency and superior finish.

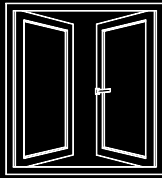


CASEMENT SYSTEMS

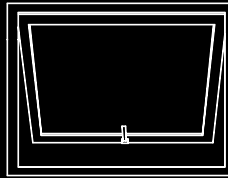
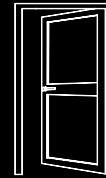
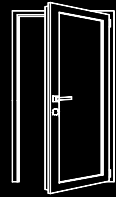
INTERNAL OPENING



EXTERNAL OPENING

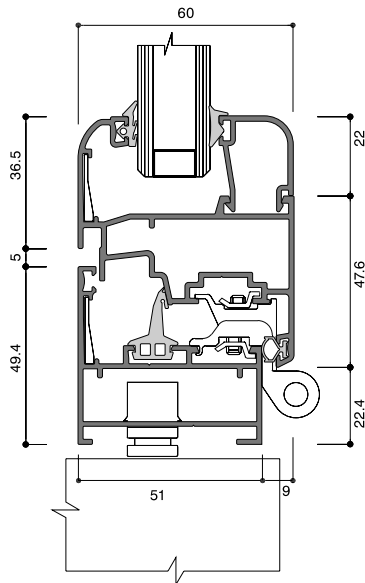


TOP HUNG

DOOR –
EXTERNAL OPENINGDOOR –
INTERNAL OPENING

CASEMENT SYSTEM

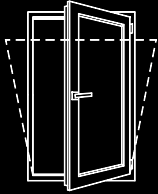
ET510 C



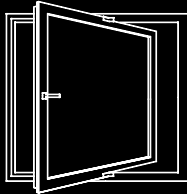
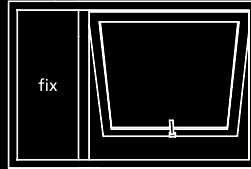
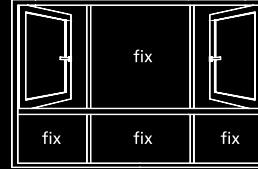
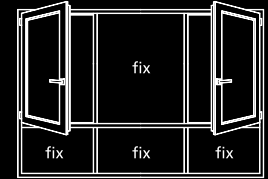
HEAVY

- External & Internal Opening, Tilt & Turn, Pivot and Top Hung, with fixed frame option.
- Range of glass / panel thicknesses from 4 mm to 25 mm.
- Option of double-glazed / laminated glass for excellent sound & heat insulation.
- Glazing from inside for security.
- Mechanically strong corner & 'T' joints.
- Seal type (Air / Water): internal & external overlapping central gasket & rabbet (EPDM). Co-extruded for weather resistance (-30°C to 50°C).
- Single to multi-point locking system.
- Insect screen option available.
- Limits of employment: 2510 mm height.

TILT & TURN

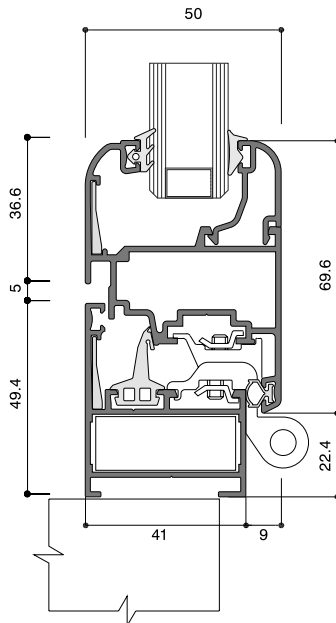


PIVOT

TOP HUNG
+ FIXED FRAMESEXTERNAL OPENING
+ FIXED FRAMESINTERNAL OPENING
+ FIXED FRAMES

CASEMENT SYSTEM

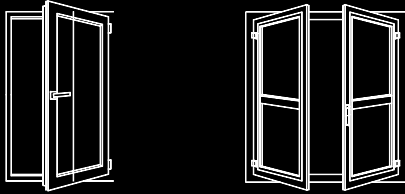
ET410 C



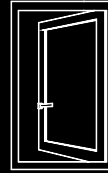
MEDIUM

- External & Internal Opening, Tilt & Turn, Pivot and Top Hung, with fixed frame option.
- Range of glass / panel thicknesses from 4 mm to 20 mm.
- Option of double-glazed / laminated glass for excellent sound & heat insulation.
- Glazing from inside for security.
- Mechanically strong corner & 'T' joints.
- Seal type (Air / Water): internal & external overlapping central gasket & rabbet (EPDM). Co-extruded for weather resistance (- 30°C to 50°C).
- Single to multi-point locking system.
- Insect screen option available.
- Limits of employment: 2200 mm height.

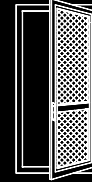
INTERNAL OPENING



EXTERNAL OPENING

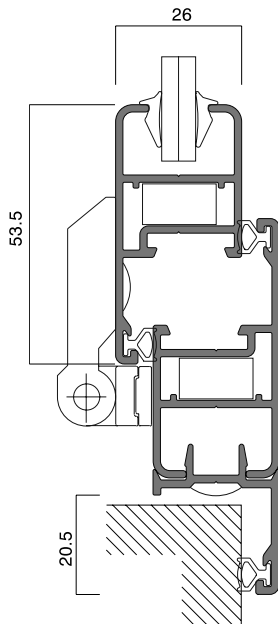


INSECT SCREEN



CASEMENT SYSTEM

ET260 C



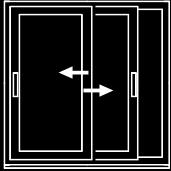
UTILITY

- External & Internal Opening.
- Maximum thickness of glass / panel: 8 mm.
- Option to use as Insect screen in ET410C and ET510C series.
- Seal type (Air / Water): internal & external overlapping (EPDM).
- Limits of employment: 1375 mm height.

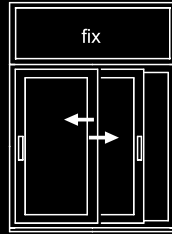


SLIDING SYSTEMS

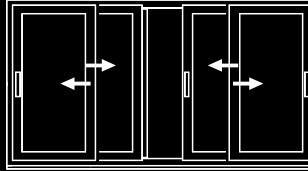
2 TRACKS
+ 2 SHUTTERS



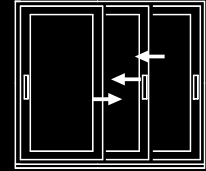
2 TRACKS + 2 SHUTTERS
+ FIXED FRAME



2 TRACKS
+ 4 SHUTTERS

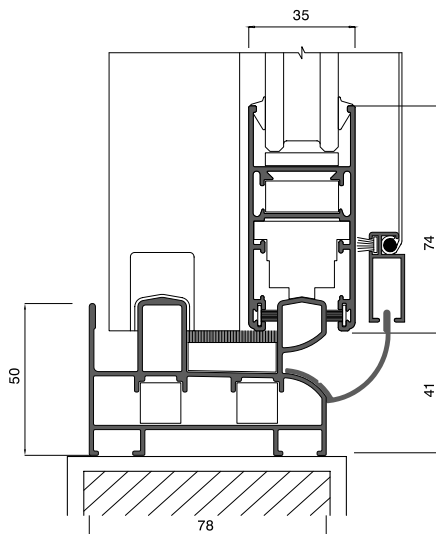


3 TRACKS
+ 3 SHUTTERS



SLIDING SYSTEM

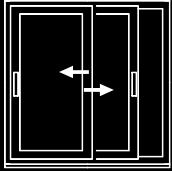
ET350 S



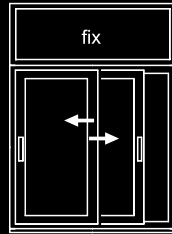
HEAVY

- Available in 2-track and 3-track, along with fixed frame option.
- Option of double-glazed / laminated glass for excellent sound & heat insulation.
- Range of glass / panel thicknesses: 6 mm to 26 mm.
- Single roller capacity: 100 kg / shutter and adjustable double roller capacity: 150 kg / shutter.
- Mechanically strong corner joints.
- Seal type (Air / Water): Wool pile / EPDM gasket.
- Option with heavy-duty shutter for high-rise buildings and larger dimensions.
- Provision for insect screen.
- Automatic, manual and multi-point locking system.
- Limits of employment: 2600 mm height.

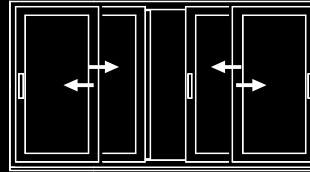
2 TRACKS
+ 2 SHUTTERS



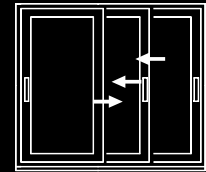
2 TRACKS + 2 SHUTTERS
+ FIXED FRAME



2 TRACKS
+ 4 SHUTTERS

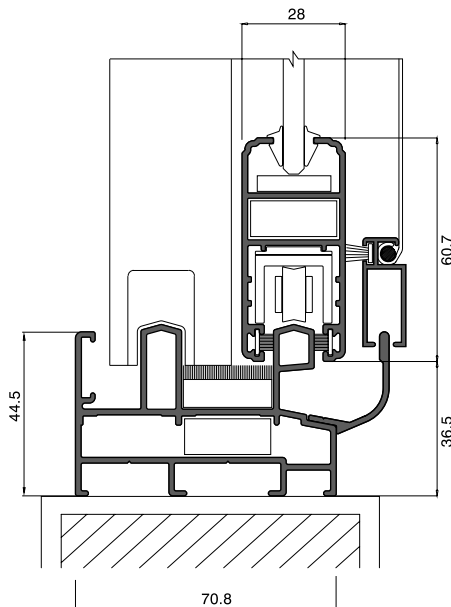


3 TRACKS
+ 3 SHUTTERS



SLIDING SYSTEM

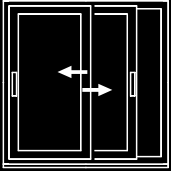
ET280 S



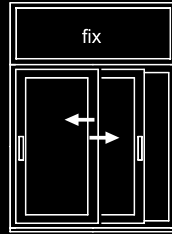
MEDIUM

- Available in 2-track and 3-track, along with fixed frame option.
- Option of double-glazed / laminated glass for excellent sound & heat insulation.
- Range of glass / panel thicknesses: 6 mm to 20 mm.
- Single roller capacity: 70 kg / shutter and adjustable double roller capacity: 90 kg / shutter.
- Mechanically strong corner joints.
- Option with heavy-duty shutter for high-rise buildings and larger dimensions.
- Seal type (Air / Water): Wool pile / EPDM gasket.
- Provision for insect screen.
- Limits of employment: 2150 mm height.

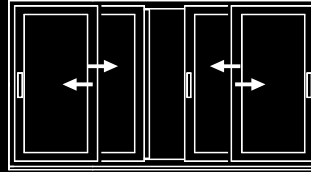
2 TRACKS
+ 2 SHUTTERS



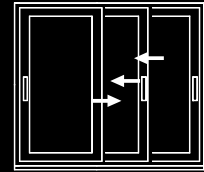
2 TRACKS + 2 SHUTTERS
+ FIXED FRAME



2 TRACKS + 4 SHUTTERS

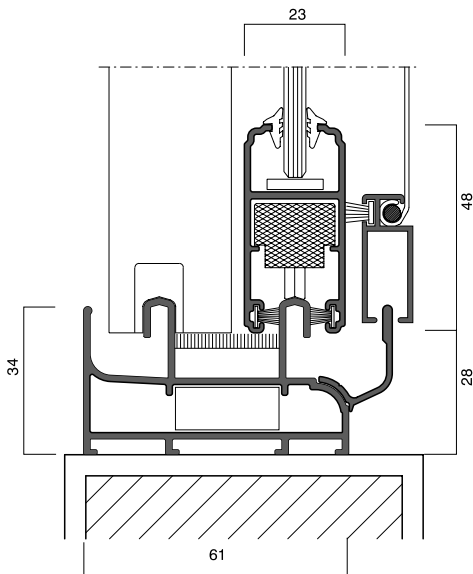


3 TRACKS + 3 SHUTTERS



SLIDING SYSTEM

ET230 S



SLEEK

- Available in 2-track and 3-track, along with fixed frame option.
- Maximum thickness of glass / panel: 6 mm.
- Single roller capacity: 30 kg / shutter and double roller capacity: 60 kg / shutter.
- Mechanically-strong corner joints.
- Seal type (Air / Water): Wool pile / EPDM gasket.
- Provision for insect screen.
- Limits of employment: 1300 mm height.

HARDWARE AND ACCESSORIES

At Eternia, we focus on the superior performance of our window systems, which is why when it comes to our hardware, we import the best solutions from Europe. Our range of hardware and accessories comes from reputed European manufacturers, and are recognized as world-class in quality, design and craftsmanship. Our Italian heritage includes bold designs and vivid colour schemes, attention to the minutest of detail, emphasis on quality, and a penchant for creative and unique solutions.

- Dedicated accessories for specific functions
- Wide range to choose from
- Available in various RAL colours



ADVANTAGES OF ALUMINIUM WINDOWS OVER uPVC WINDOWS

Feature	Aluminium	uPVC
Strength	Special Aluminium Alloy used has very high strength (minimum UTS 185 mPa) – can be designed for any sized window and is suitable for high-rise buildings.	uPVC has low strength (minimum UTS 51 mPa), low modulus and low impact resistance. MS/GI/Al reinforcements are required.
Aesthetics	Limitless colours & textures through anodising, powder coating and wood / marble finishes, etc.	Limited colour options. Susceptible to fading, discolouration and chalking on continuous exposure to UV radiations.
Temperature Stability	Stable in the range 150° C down to sub-zero. Melts at 660° C.	Stable in the range 60°C to 20°C. Melts at about 80°C. Not suitable in industrial conditions where temperatures are high.
Fire Resistance	Non-combustible	Flammable and vinyl siding can release toxic fumes when burning, particularly dioxins.
Thermal Expansion	Co-efficient of thermal expansion is 0.0000240/°C and more resistant to warping, twisting, or sticking, when subjected to the elements.	Co-efficient of thermal expansion is 0.0000600/° C. Exposure to high temperature may result in expanding and warping, while exposure to sub-zero temperatures may cause cracks.
Thermal Insulation	Window performance is mainly decided by glazing and hence, aluminium or uPVC does not matter, even more, in hot climates.	Window performance is mainly decided by glazing and hence, aluminium or uPVC does not matter, even more, in hot climates.
Sound Insulation	Outperforms in noise abatement, with damping factor of 25.9.	Damping factor is very low at 1.8.
Maintenance	Easy to maintain and at low cost.	Lower durability implies higher maintenance cost.
Resale Value	100% recyclable and hence high resale value.	Negligible resale value.
Environment Friendliness	Endlessly recyclable	Purity of material degrades. Additives cause disposal problems.

MARKETING OFFICES

MARKETING HEAD OFFICE

Century Bhavan, Dr. Annie Besant Road, Worli,
Mumbai 400 030. India
Tel: +91-22-6662 6666/43
Fax: +91-22-2422 7586, 2436 2516

For enquiries,
call toll-free 1800-103-9494 or
sms 'ETERNIA' to 91640 91640
eternia.hindalco@adityabirla.com
www.eterniawindows.com

REGIONAL OFFICES

North Nutan Kumar Singh
Vandhana, 5th Floor, 11, Tolstoy Marg, New Delhi 110 001.
Tel: +91-11-4220 0200. Fax: +91-11-2372 1595
nutan.singh@adityabirla.com

East Abhijit Chakraborty
Jeevan Deep Building, 1, Prafulla Chandra Sen Sarani,
Kolkata 700 071.
Tel: +91-33-2280 9710, 2288 6135
Fax: +91-33-2288 6139
abhijit.chakraborty@adityabirla.com

West Santanu Nandi
Ahura Centre, 1st Floor, 82, Mahakali Caves Road,
Andheri (East), Mumbai 400 093.
Tel: +91-22-6691 7000/31. Fax: +91-22-6691 7070/50
santanu.nandi@adityabirla.com

South Ashok K Kumar
Industry House, 7th Floor, 45, Race Course Road,
Bengaluru 560 001. Tel: +91-80-4041 6000
Fax: +91-80-2225 3086
ashok.k.kumar@adityabirla.com

Eterna Windows are manufactured & installed by the Licensee(s) under licence of Hindalco. Licensee(s) shall be responsible for such manufacturing & installation.

